

CM2 PORTABLE WINCH SPECIFICATION

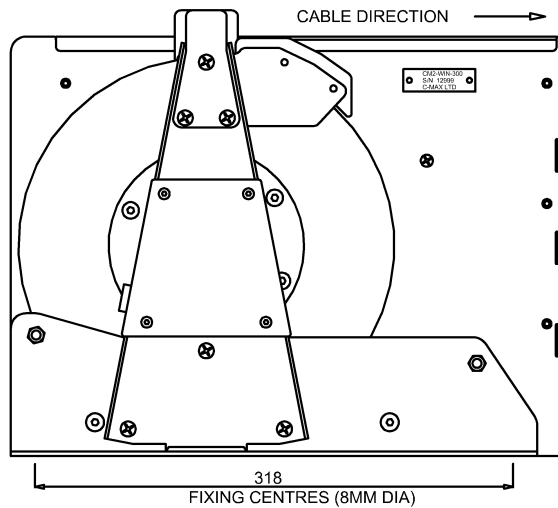
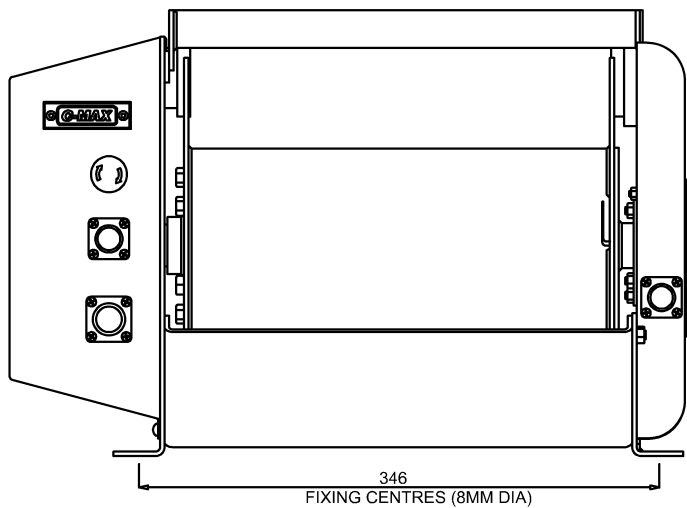
Issue 4, February '11

1. GENERAL

The CM2 portable winch was designed for use with the CM2 Sidescan Sonar system. It may also be used in other hydrographic applications.

It provides a means of handling the 4.7mm diameter armoured tow cable, suitable for deploying the CM2 towfish to depths in the range 2 - 100m, whilst remaining within a portable size and weight. The remote control pendant allows the sonar operator to control the tow cable whilst viewing the sonar display.

The CM2 winch features "soft start" for smooth acceleration, an automatic overload clutch, a temperature alarm and an emergency stop switch.



2. CAPABILITY

Cable capacity

300m of 4.7mm diameter armoured tow cable

Speed

0.8m/second at median diameter

Design tension range (heaving & veering)

15 - 40kgf at median diameter

3. SIGNAL PATH

2-channel slip ring

10m signal deck cable (other lengths optional)

4. REMOTE CONTROL PENDANT

Heave (in), Veer (out) buttons

10m control deck cable (other lengths optional)

5. POWER

24V DC, 30-40A heave, 14-16A veer

2m flying leads

6. MECHANICAL

Stainless steel construction

Worm drive (no brake)

"Soft start" acceleration

Automatic overload clutch (80kgf typical slip tension at median diameter)

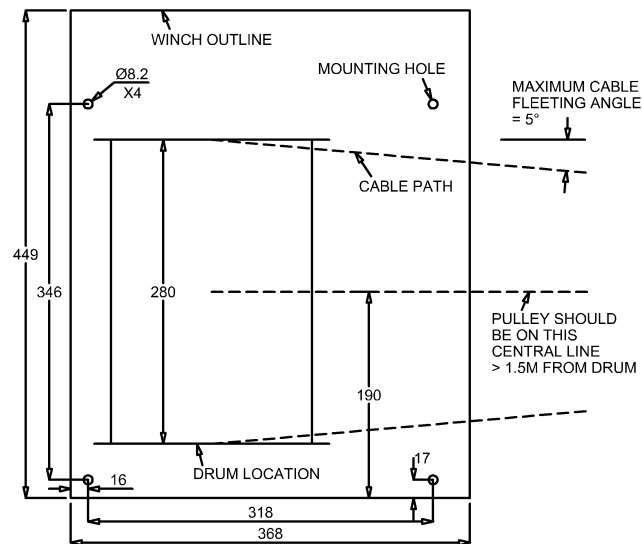
Motor overheat alarm

Emergency stop switch

Dimensions and weight

452mm x 350mm x 297mm (W x D x H); 20kg empty, 47kg with 300m cable

Mounting dimensions as shown below, plan view



The above specifications may be changed without notice.

C-MAX Ltd, 9 Hybris Business Park, Crossways, Dorchester, Dorset DT2 8BF, U.K.

Tel: +44 1305 853005, fax: +44 1305 852136, email: sales@cmasonar.com, web: cmasonar.com